

## Modular reducing valve



### Technical specification

Specification	02	03
Max. working pressure (MPa)	21	
Max. Flow (L/min)	35	70
Working fluid	Mineral oil; phosphate-ester	
Fluid temp. (°C)	-20-70	
Viscosity (mm <sup>2</sup> /s)	12-380	
Working press (MPa)	7	14 21
Weight (kg)	1.29	3.39
Cleanliness	The maximum allowable cleanliness of the oil should be according to 9th degree of Standard NAS1638. It is suggested that the minimum filter rating should be $\beta_{10} \geq 75$ .	

### Model description

DGMX2 - \* \* - \* - \* / \* 70 \*

Modular reducing valve

Specification  
3 NS 6  
5 NS 10

P P Pipeline relief  
A A Pipeline relief  
B B Pipeline relief

Working pressure  
7 to 7MPa  
14 to 14MPa  
21 to 21MPa

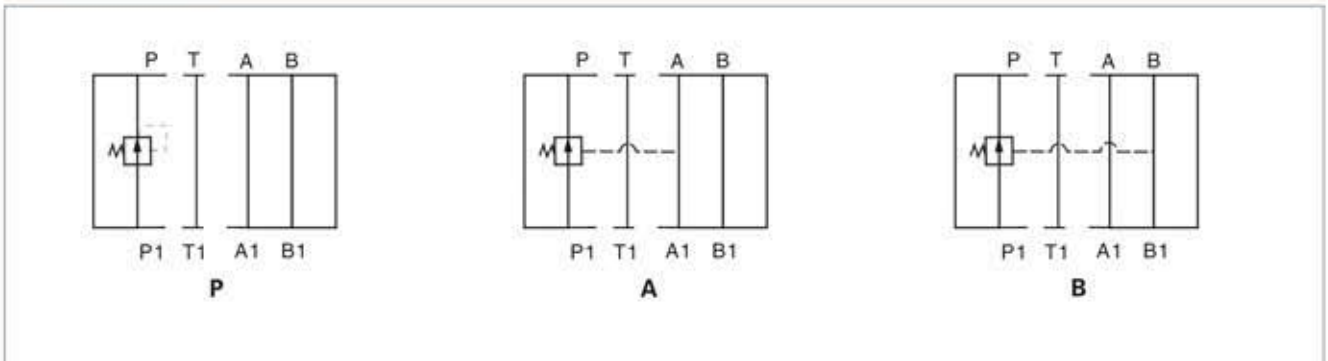
Remarks

Serial number

Seal material  
Omit NBR Seals  
V FPM Seals

8 Handle

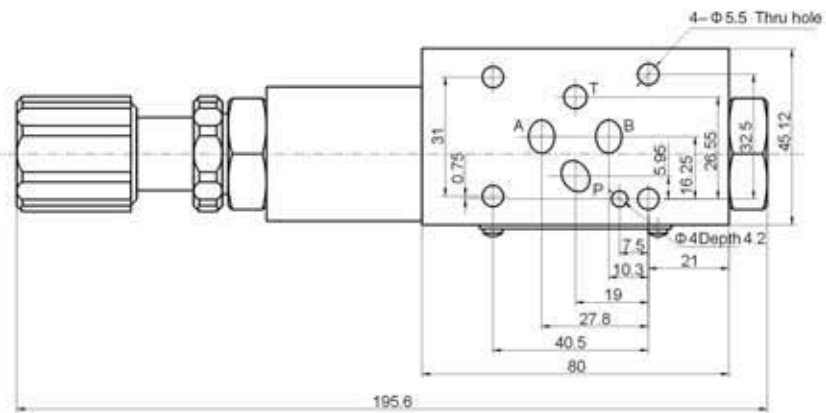
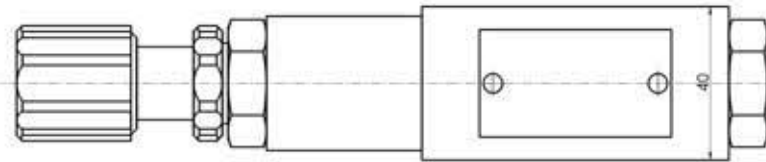
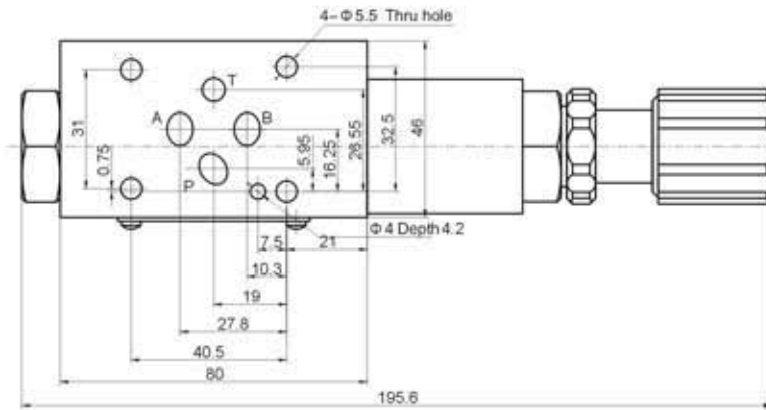
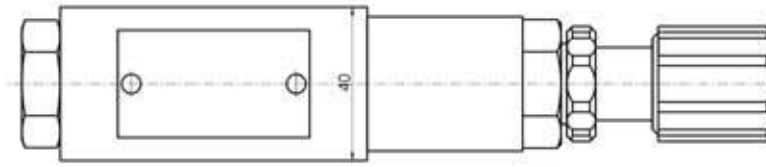
### Code symbol



## Modular reducing valve

### 02 External dimensions

DGMX2-3



## Modular reducing valve

### 03 External dimensions

DGMX2-5

